

FURRION

RV Gas Oven

Instruction Manual

Models: FSRI22LA-SB/FSRI22LA-SS
FSRD33LA-BL/FSRD22LA-SS



Safety Precautions

WARNING

If the information in this guide is not followed exactly, a fire or explosion may result causing property damage, personal injury or death.

- Do not store or use gasoline or other flammable vapors and liquids in the vicinity of this or any appliance.
- **WHAT TO DO IF YOU SMELL GAS:**
 - Do not try to light any appliances.
 - Do not touch any electrical switches.
 - Do not use any phone in your recreational vehicle.
 - Clear the recreational vehicle of all occupants.
 - Turn off the LP container valve or main container.
 - Immediately call your gas supplier for instructions.
 - If you cannot reach your gas supplier, call the fire department.
- Have the gas system checked and leakage source corrected by a qualified installer, service agency, manufacturer, dealer or the gas supplier.

WARNING

Hazards or unsafe practices COULD result in severe personal injury or death.

CAUTION

Hazards or unsafe practices COULD result in minor personal injury.

Read and follow all instructions before using this appliance to prevent the potential risk of fire, electric shock, personal injury or damage to the appliance as a result of improper usage of the appliance. Use appliance only for its intended purpose as described in this guide.

If an external electrical source is utilized, the appliance must be electrically grounded in accordance with state or other codes or, in the absence of such codes, with the National Electrical Code, ANSI/NFPA 70. Do not attempt to adjust, repair, service or replace any part of your appliance unless it is specifically recommended in this guide. All other servicing should be referred to a qualified service technician.

Warning and important safety instructions appearing in this guide are not meant to cover all possible conditions and situations that may occur. Common sense, caution, and care must be exercised when installing, maintaining, or operating the appliance. Always contact the manufacturer about problems or conditions you do not understand.

Welcome

Thank you for purchasing this Furrion® RV Gas Oven. Before operating your new appliance, please read these instructions carefully. This instruction manual contains information for safe use, installation and maintenance of the appliance.

Please keep this instruction manual in a safe place for future reference. This will ensure safe use and reduce the risk of injury. Be sure to pass on this manual to new owners of this appliance.

The manufacturer does not accept responsibility for any damages due to not observing these instructions.

If you have any further questions regarding our products, please contact us at **support@furrion.com**

Contents

Safety Precautions	1
Welcome	2
Contents	3
Safety Advice	4
GENERAL SAFETY PRECAUTIONS	4
IMPORTANT SAFETY INSTRUCTIONS.....	5
Oven Feature Guide	7
Using Your Oven	8
Suitable Cookware	8
LIGHTING INSTRUCTIONS	8
SHUT OFF INSTRUCTIONS.....	9
The Burner Flame.....	9
Installation	10
Instruction	10
Install the ventilation	13
Cooking Advice	15
Baking	15
Cooking Pizza.....	15
Cooking Fish and Meat.....	15
Maintenance	17
How to keep your oven in shape	17
Oven rack guide:.....	18
Replacing the Oven Lamp	18
How to replace the Control Knob LED (for models with LED light only).....	18
Warranty	19
Exploded Drawing	21

Safety Advice

GENERAL SAFETY PRECAUTIONS

1. Always use dry oven gloves or pot holders when removing pans from this appliance. Wet or damp pot holders or oven gloves can cause steam burns. Do not use a towel or bulky cloth in place of oven gloves or pot holders.
2. Exercise caution when opening the oven door. Let hot air or steam escape before looking or reaching into the oven.
3. Be sure that the oven cool air intake (located below the door) and oven exhaust vent (located on the countertop) are unobstructed at all times.
4. Oven exhaust vent is extremely hot during and after oven operation. Do not touch when or just after using the oven.
5. Position oven racks in desired locations when oven is cool. If a rack must be repositioned after the oven is already hot, be sure oven gloves or pot holders do not contact the gas burner in the oven.
6. Read this guide carefully before using this appliance to reduce risk of fire, electric shock or injury.
7. This appliance must be properly installed and serviced by a qualified installer or service agency and grounded by a qualified technician.
8. Clean only those parts listed in this guide.
9. Do not touch heating elements or interior surfaces of oven. Heating elements may be hot even though they are dark in color. Interior surfaces become hot enough to cause burns. During and after use, do not touch, or let clothing or other flammable materials contact heating elements, interior surfaces or rear vent of oven until they have had sufficient time to cool.

Safety Advice

CAUTION

Do not place cookware on oven floor or use aluminum foil or other material to line oven floor or side walls. Failure to adhere to this notice will damage the porcelain interior and will void your warranty.

WARNING

Gas leaks cannot always be detected by smell. Use a gas detector approved by UL or CSA to check gas lines. For more information, contact your gas supplier. If a gas leak is detected, follow the “What to do if you smell gas” instructions.

IMPORTANT SAFETY INSTRUCTIONS

WARNING

To reduce the risk of fire, electrical shock, injury to persons, or damage when using the range, read this user manual before use.

All installation must conform with state or other codes or, in the absence of such codes, with the Standard for Recreational Vehicles, ANSI/NFPA 1192.

WARNING

NEVER use this appliance as a space heater to heat or warm the room. Doing so may result in carbon monoxide poisoning and overheating of the oven.

Important Safety Notice

The California Safe Drinking Water and Toxic Enforcement Act requires the Governor of California to publish a list of substances known to the state to cause cancer, birth defects or other reproductive harm, and requires businesses to warn customers of potential exposure to such substances.

WARNING

NEVER cover rear vent on countertop, internal cavity holes or space at bottom of oven door or cover an entire rack with materials such as aluminum foil. Doing so blocks air flow through the oven and may cause carbon monoxide poisoning.

CAUTION

Do not store items of interest to children in cabinets above a oven or near the back oven vent – children climbing around the oven to reach items could be seriously injured.

Disconnect power before servicing. Injuries may result from the misuse of appliance doors or drawers such as stepping, leaning, or sitting on the doors or drawers.

Keep oven area clear and free from combustible materials, gasoline, and other flammable vapors and liquids. Flammable materials should not be

Safety Advice

stored in an oven or near surface units.

The appliance must be isolated from the gas supply piping system by closing its isolation valve during any pressure testing with a pressure more than 13.8WCI Pressure / Leak test using 11 - 13.8 WCI pressure

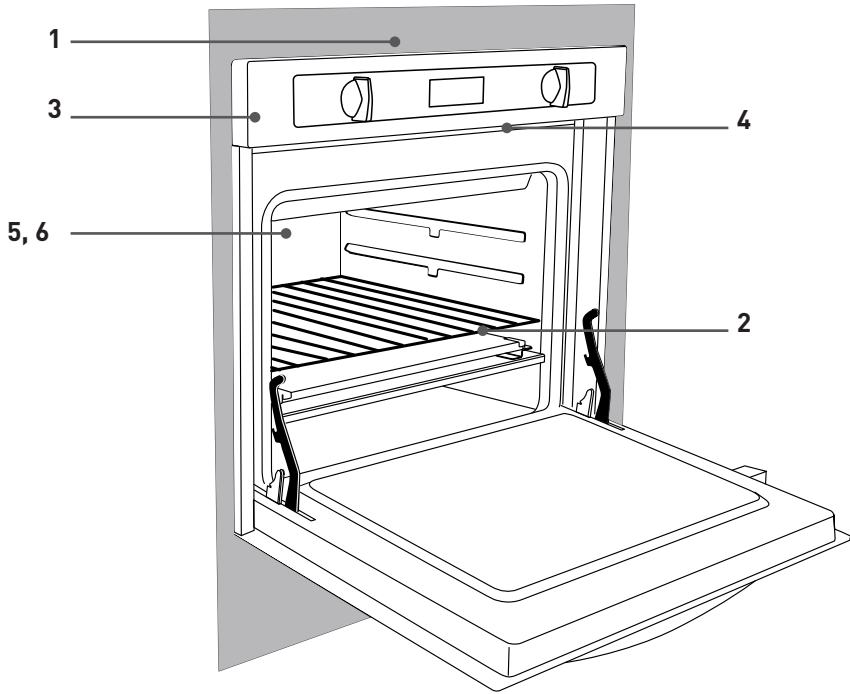
To maintain the efficiency and safety of this appliance, we recommend that you do the following:

- Only call the service centers authorized by the manufacturer
- Always use original spare part
- This instruction manual concerns a class 3 built-in appliance
- When handling the appliance, we recommend you always use the purpose provided handles recessed into the sides of the oven to prevent harming people or damaging the appliance itself.
- This appliance is designed for non-professional, house-hold use and its functions must not be changed.
- These instructions are only valid for the countries whose symbols appear on the manual and the serial number plate.
- When the appliance is in use, the burners and some parts of the oven door become extremely hot. Make sure you don't touch them and keep children well away.

The following items are potentially dangerous, and therefore appropriate measures must be taken to prevent children and the disabled from coming into contact with them:

- Controls and the appliance in general;
- Packaging (bags, polystyrene, nails, etc);
- The appliance itself, immediately after use of the oven or grill due to the heat generated;
- The appliance itself, when no longer in use (potentially dangerous parts must be made safe).

Oven Feature Guide

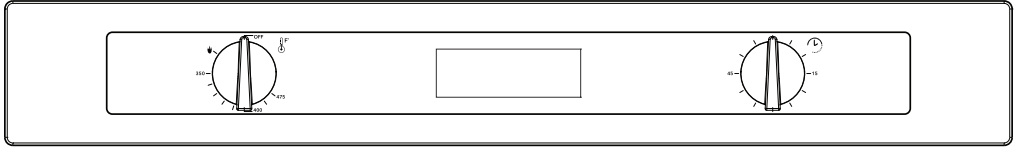


1	Product Rating Label (top of oven)
2	Adjustable Oven Racks
3	Control Panel and Display

4	Cooling Fan
5	Cavity Temperature Probe
6	Halogen Lighting

Using Your Oven

Using Your Oven



A


C

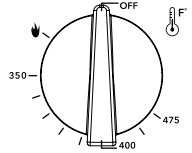
B

Suitable Cookware

- A: Gas thermostat control knob
- B: Time knob, sets timer for up to 1 hour
- C: Digital temperature reading

LIGHTING INSTRUCTIONS

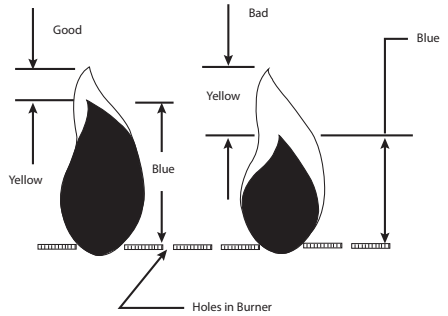
1. Before lighting, reset gas control knobs to the OFF position.
2. Check that the main inlet gas valve is OPEN.
3. Keep the oven door in the open position for the full ignition process to view the pilot and burner until lit.
4. Push and turn the gas control knob counterclockwise to  position until pilot lights. (you will hear a small clicking noise.)
5. If ignition does not occur in 5 seconds, turn gas control knob off, wait 2 minutes and repeat the lighting procedure.
6. Once the pilot flame is lit, continue to hold the oven control knob in for 10-15 seconds, then release knob and verify pilot stays lit. Repeat the above steps if pilot goes out after releasing the knob. (Keep the oven door open for this process)
7. After the pilot flame is ignited and the control knob is released, then turn the control knob counter-clockwise to the required temperature setting.
8. Within 20 seconds of the pilot flame being lit the main burner flame will automatically ignite, confirm with a visual inspection before closing the oven door.



Using Your Oven

SHUT OFF INSTRUCTIONS

1. To extinguish the burner, push the oven control knob and rotate clockwise to OFF. Extinguish all pilots when refueling or traveling.
2. Turn the main gas supply off.
3. Before transit, turn the main gas supply off at the shut off valve.
4. The fan will continue to run for 10 – 15 minutes after turning off.



The Burner Flame

Keep your arms and face away from being directly above the cooking area.

A good flame should be blue with a yellow tip.

Some yellow tips on flames up to 1 inch in length are acceptable as long as no carbon or soot deposits appear.

If flames are excessively yellow and irregular, the oil residue may not be completely burned off, or the venturi may be clogged or may not be properly positioned over the orifices. Allow the appliance to cool before repositioning the venturi over the valve and orifices.

Installation

The appliance must be installed only by a qualified person in compliance with the instructions provided.

Please ensure to install this product per manufacturers instructions to avoid harm to persons, animals or damage property.

Important: The power supply to the appliance must be cut off before any adjustments or maintenance work is done on it.

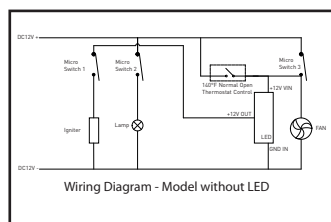
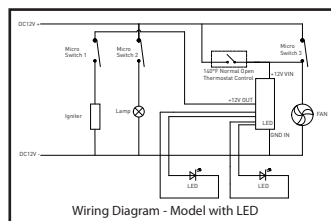
This oven can be used with Propane Gas only.

This oven is fitted with a threaded 5/8-18UNF male attachment. For installation use copper pipe and CSA or UL certified fitting and connectors which comply to USA and Canadian safety standards.

Ensure when this oven is installed the gas supply pipe cannot contact any moving parts. Make sure adequate space is available so the supply pipe will not be bent or damaged after installation.

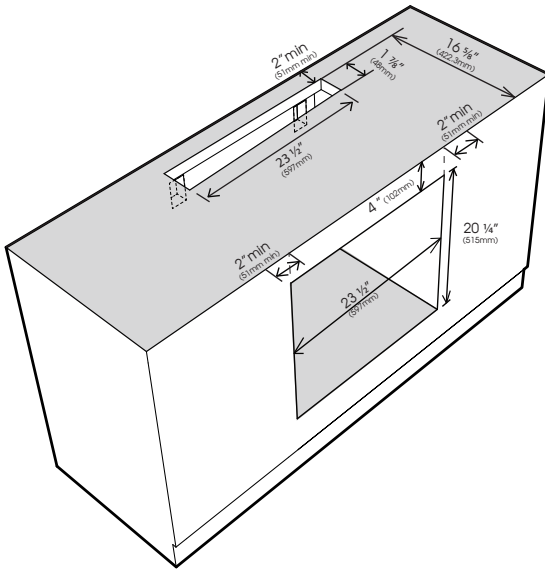
Instruction

- Build or adjust kitchen cabinets to Fig. A
- Ensure the oven height from the top of the counter top is 4"
- Cut the oven vent hole in the countertop, (Fig. B) ensure the rear of the cut out position measures 18" from the front of the cabinets for correct positioning.
- Install a copper gas supply pipe with a shut off valve and 5/8-18UNF connection to the upper left rear corner of the oven cavity.
- From a 12V DC power source run a minimum 16AWG 2-conductor cable or above to the upper right rear corner of the oven cavity, use a 5A fuse at the power source for protection.
- Connect the Gas pipe and 12V cable to the oven. Ensure to connect the wires with the correct polarity. + = Black, - = White



Installation

- Once installation is complete, before final fitting check all pipe fittings for gas leaks. Pressure the system to 13.8WCI then using a soapy solution or certified gas leak detector to check for possible leaks. Always perform a leak test according to the manufacturer's instructions.
- Slide the oven into the cabinet, then open the oven door and fix the oven with four wood screws.
- Pay attention to fix the oven securely.
- Ensure the countertop, surrounding materials and bonding agents have a temperature rating of no less than 193°F (95°C) to avoid deformation.
- Turn on the power supply only after installation has been completed.



Installation

Installation for oven (with Furrion FG4ZSA cooktop)

- Make the cut-out in the countertop per Fig. B. When marking the cutout, ensure to measure the cut out from the front of the cabinets to ensure the oven vent is in the correct position.
- Install the gas supply hose with 5/8-18UNF connection and shut off valve to the back wall on the left hand side of the cooktop cut out.
- Two gas lines will be run for a Oven + Cooktop installation. Ensure to connect the cooktop to the upper gas connection.
- Ensure there is ventilation hole for air circulation around the cooktop in the cabinet.
- Ensure the countertop, surrounding materials and bonding agents have a temperature rating of no less than 193°F (95°C) to avoid deformation or discoloration.
- Before fitting the cooktop to the cavity affix the roll of sealing putty (included in the cooktop packaging) around the underside edge. Once putty is installed completely around the underside, remove the putty protective film and then fit the cooktop in cut out. Push down on the cooktop edges to seal and fix the appliance securely.

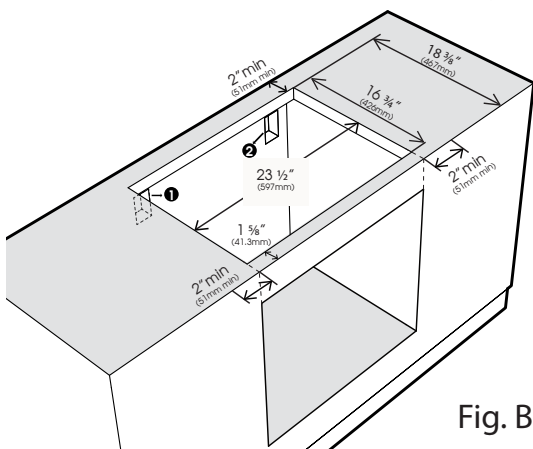


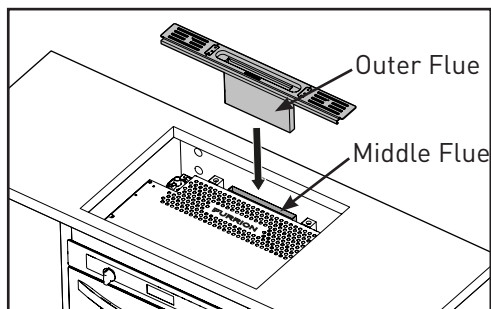
Fig. B

Installation

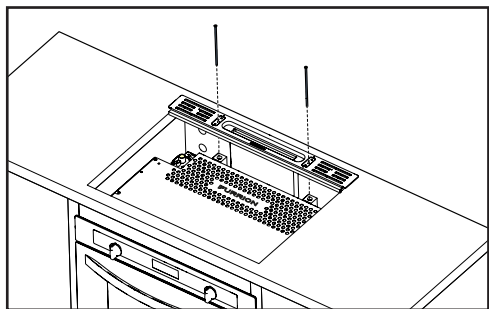
Install the ventilation

After securely mounting the oven into the cabinet, install the vent through the top cut out area of the cabinet.

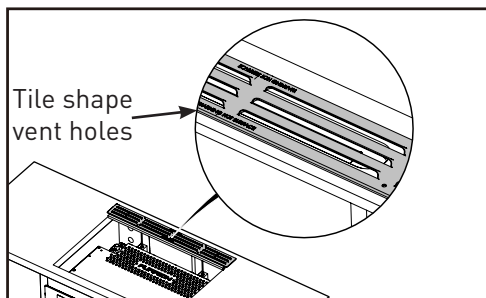
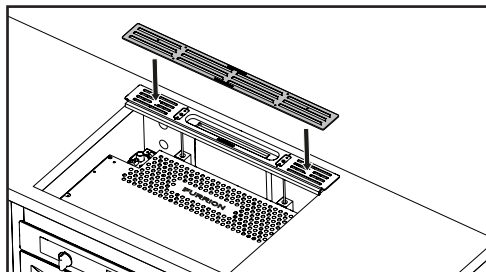
1. Install the vent assembly on the oven unit. Make sure the outer flue is correctly covered onto the middle flue.



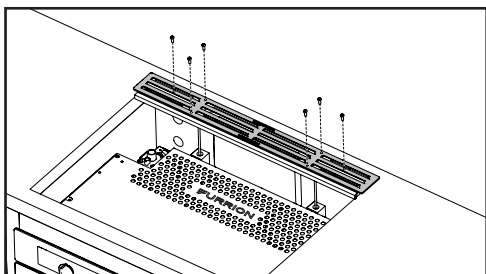
2. Fix the vent assembly to the oven with 2 long screws provided and tighten with screwdriver. Do not over tighten



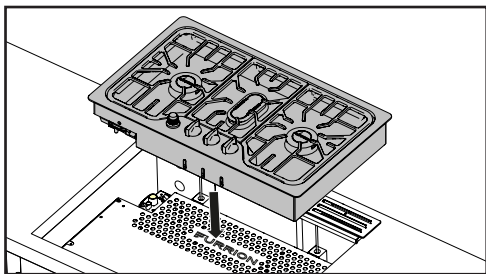
3. Place the vent cover over the vent assembly. Make sure the tile shape vent holes are facing front.



4. Secure the vent cover onto the vent assembly with six screws provided.



5. Install the cooktop (sold separately) into the cabinet.



Installation

Technical Specification

BTU/HR	9,000 BTU
Fuel	Propane (LP Gas)
Inlet Pressure	Propane (LP Gas)
Power Input	12 VDC < 2amp
Inner Volume of the Oven	58L

This appliance conforms with the following directives: ANSI Z21.57a and CAN1-1.6-M79(R2011)

Cooking Advice

The oven offers a wide range of alternatives which allow you to cook any type of food in the best possible way. With time you will learn to make the best use of this versatile cooking appliance and the following directions are only a guideline which may be varied according to your own personal experience.

Baking:

For best results, we recommend you use Furrion baking stone for baking.

NOTE: The baking stone is not provided, please contact Furrion authorized dealers to purchase Furrion genuine baking stone (part number C-FSRI22LA-SSStone).

- Position the baking stone in the stone baking tray.
- Slide the stone baking tray into the oven.
- Preheat the oven for about 20 minutes before placing items inside.

Cooking Pizza

For tasty crispy pizzas:

- Slide the stone baking tray into the oven.
- Preheat the oven for at least 20 minutes.
- Use a light aluminum pizza pan, placing it on the rack supplied with the oven. If the dripping pan is used, this will extend the cooking time, making it difficult to get a crispy crust.
- Do not open the oven door frequently while the pizza is cooking.

Cooking Fish and Meat

- When cooking white meat, fowl and fish, remove the stone tray from the oven.
- For red meat that should be well done on the outside while tender and juicy in the inside, it is a good idea to start with a high temperature setting (390°F~ 430°F) for a short time, then turn the oven down afterwards.

Cooking Advice

Selector knob setting	Food to be cooked	Weight (in kg)	Cooking rack position from oven bottom	Preheating time (minutes)	Thermostat knob setting (°F)	Cooking time (minutes)	
Oven	Lasagne	2.5	1	15	390	55-60	
	Cannelloni	2.5	1	10	390	40-45	
	Pasta bakes	2.2	1	10	390	50-55	
	Veal	1.7	2	10	410	80-90	
	Chicken	1.5	0	10	390	70-80	
	Turkey roll	2.5	1	10	390	80-90	
	Duck	1.8	0	10	390	90-100	
	Rabbit	2.0	0	10	390	80-90	
Oven	Pork loin	1.5	1	10	390	70-80	
	Leg of lamb	1.8	0	10	390	80-90	
	Mackerels	1.3	2	10	390	30-40	
	Dentex	1.5	2	10	355	30-40	
	Trout baked in foil	1.0	2	10	390	30-35	
	Neapolitan-style pizza	0.6	Stone (not provided)	15	410	15-20	
	Dry biscuits	0.5	3	15	355	25-30	
	Tart	1.1	3	15	355	30-35	
	Chocolate cake	1.0	3	15	330	50-60	
	Leavened cakes	1.0	3	15	330	50-60	
Grill	Soles and cuttlefish	1	2	5	-	6	
	Squid and prawn kebabs	1	2	3	-	4	
	Cod filet	1	2	3	-	10	
	Grilled vegetables	1	3	-	-	8-10	
	Veal steak	1	2	5	-	20-25	
	Chops	1.5	2	5	-	20-25	
	Hamburgers	1	3	3	-	10-15	
	Sausages	1.7	3	5	-	20-25	
	Toasted sandwiches		3	3	-	2-3	
	With rotisserie(where present)						
		Veal on the spit	1.0				80-90
		Chicken on the spit	1.5				80-90
		Lamb on the spit	1.0				80-90

N.B.: Cooking times are approximate and may vary according to personal taste. Use baking stone (not provided) for baking, cooking pizza or large meat items. The stone will regulate an even heat inside the oven cavity for best results.

Maintenance

How to keep your oven in shape

Before cleaning your oven, or performing maintenance, disconnect it from the power supply.

To extend the life of your oven, it must be cleaned frequently, keeping in mind that:

- Do not use steam equipment to clean the appliance.
- The enameled or stainless steel parts should be washed with lukewarm water without using any abrasive powders or corrosive substances which could ruin them; Stainless steel could get stained. If these stains are difficult to remove, use special products available on the market. After cleaning, it is advisable to rinse thoroughly and dry.
- The inside of the oven should preferably be cleaned immediately after use, when it is still warm, with hot water and soap; the soap should be rinsed away and the interior dried thoroughly. Avoid using abrasive detergents (for example cleaning powders, etc...) and abrasive sponges for dishes or acids (such as limescale-remover, etc...) as these could damage the enamel. If the grease spots and dirt are particularly tough to remove, use a special product for oven cleaning, following the instructions provided on the packet.
- If you use your oven for an extended period of time, condensation may form. Dry it using a soft cloth.
- There is a rubber seal surrounding the oven opening which guarantees its perfect functioning. Check the condition of this seal on a regular basis. If necessary, clean it and avoid using abrasive products or objects to do so. Should it become damaged, please contract your nearest After-sales Service Center. We recommend you avoid using the oven until it has been repaired.
- Never line the oven bottom with aluminium foil, as the consequent accumulation of heat could compromise the cooking and even damage the enamel.
- Clean the glass door using non-abrasive products or sponges and dry it with a soft cloth.

Maintenance

Oven rack guide:

The oven racks feature an anti-tip locking system.

To remove the racks push inside fully, then unclip the rear tabs from the locking channel by pushing upwards and slide out.

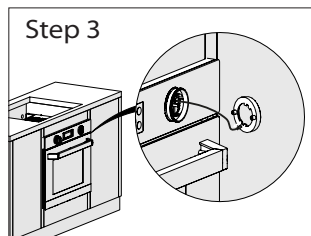
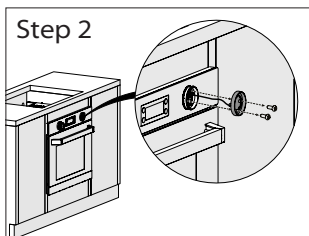
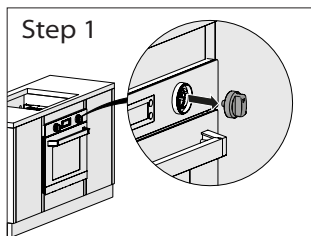
To replace the racks slide the racks in fully, then push down on the back side to slip the tabs into the anti-tip locking system.

Replacing the Oven Lamp

- Disconnect the oven from the 12V DC power supply by means of the switch or fuse.
- Unscrew the lamp-holder glass cover.
- Remove the lamp and replace high temperatures (300)
 - Voltage: 12V
 - Wattage: 15W
 - Type G9
- Screw on the glass cover and reconnect the oven to the mains power supply.

How to replace the Control Knob LED (for models with LED light only)

1. Disconnect the oven from the power supply by means of the switch used to connect the appliance to the electrical mains, or unplug the appliance if the plug is accessible.
2. Pull to remove the control knob with LED broken.
3. Remove the two screws holding the LED light using a Phillips screwdriver.
4. Pull to remove the socket connected to the LED.
5. Repeat steps 4 to 2 to replace the broken LED.



Warranty

FURRION WARRANTS FOR A PERIOD OF 1 YEAR FROM DATE OF RETAIL PURCHASE BY THE ORIGINAL END-USE PURCHASER, THAT THIS PRODUCT, WHEN DELIVERED TO YOU IN NEW CONDITION, IN ORIGINAL PACKAGING, FROM A FURRION AUTHORIZED RESELLER AND USED IN NORMAL CONDITIONS, IS FREE FROM ANY DEFECTS IN MANUFACTURING, MATERIALS, AND WORKMANSHIP. IN CASE OF SUCH DEFECT, FURRION SHALL REPLACE OR REPAIR THE PRODUCT AT NO CHARGE TO YOU. THIS WARRANTY DOES NOT COVER: PRODUCTS WHERE THE ORIGINAL SERIAL NUMBERS HAVE BEEN REMOVED, ALTERED OR CANNOT READILY BE DETERMINED; DAMAGE OR LOSS CAUSED BY ACCIDENT, MISUSE, ABUSE, NEGLIGENCE, PRODUCT MODIFICATION, FAILURE TO FOLLOW INSTRUCTIONS IN INSTRUCTION MANUAL, COMMERCIAL OR INDUSTRIAL USE; DAMAGE OR LOSS CAUSED TO THE DECORATIVE SURFACE OF PRODUCT; TO ANY DATA, SOFTWARE OR INFORMATION; AND NORMAL WEAR AND TEAR. THIS WARRANTY ONLY PROTECTS THE ORIGINAL END-USER ("YOU") AND IS NOT TRANSFERABLE; ANY ATTEMPT TO TRANSFER THIS WARRANTY SHALL MAKE IT IMMEDIATELY VOID. THIS WARRANTY IS ONLY VALID IN THE COUNTRY OF PURCHASE.

THIS WARRANTY AND REMEDIES SET FORTH ABOVE ARE EXCLUSIVE AND IN LIEU OF ALL OTHER WARRANTIES, REMEDIES AND CONDITIONS, WHETHER ORAL OR WRITTEN, EXPRESS OR IMPLIED. FURRION SPECIFICALLY DISCLAIMS ANY AND ALL IMPLIED WARRANTIES, INCLUDING, WITHOUT LIMITATION, WARRANTIES OF MERCHANTABILITY AND FITNESS FOR A PARTICULAR PURPOSE. IF FURRION CANNOT LAWFULLY DISCLAIM IMPLIED WARRANTIES UNDER THIS LIMITED WARRANTY, ALL SUCH WARRANTIES, INCLUDING WARRANTIES OF MERCHANTABILITY AND FITNESS FOR A PARTICULAR PURPOSE ARE LIMITED IN DURATION TO THE DURATION OF THIS WARRANTY.

No Furrion reseller, agent, or employee is authorized to make any modification, extension, or addition to this warranty.

Warranty

FURRION IS NOT RESPONSIBLE FOR DIRECT, INDIRECT, SPECIAL, INCIDENTAL OR CONSEQUENTIAL DAMAGES RESULTING FROM ANY BREACH OF WARRANTY OR CONDITION, OR UNDER ANY OTHER LEGAL THEORY, INCLUDING BUT NOT LIMITED TO LOST PROFITS, DOWNTIME, GOODWILL, DAMAGE TO OR REPLACEMENT OF ANY EQUIPMENT OR PROPERTY, ANY COSTS OF RECOVERING, REPROGRAMMING, OR REPRODUCING ANY PROGRAM OR DATA STORED IN OR USED WITH FURRION PRODUCTS. FURRION'S TOTAL LIABILITY IS LIMITED TO THE REPAIR OR REPLACEMENT OF THIS PRODUCT PURSUANT TO THE TERMS OF THIS WARRANTY. SOME STATES DO NOT ALLOW THE EXCLUSION OR LIMITATION OF INCIDENTAL OR CONSEQUENTIAL DAMAGES OR EXCLUSIONS OR LIMITATIONS ON THE DURATION OF IMPLIED WARRANTIES OR CONDITIONS, SO THE ABOVE LIMITATIONS OR EXCLUSIONS MAY NOT APPLY TO YOU. THIS WARRANTY GIVES YOU SPECIFIC LEGAL RIGHTS, AND YOU MAY ALSO HAVE OTHER RIGHTS THAT VARY BY STATE OR (WHERE APPLICABLE IN THE COUNTRIES WHERE FURRION HAS NON-US/CANADIAN AUTHORIZED DEALERS) COUNTRY. NO ACTION OR CLAIM TO ENFORCE THIS WARRANTY SHALL BE COMMENCED AFTER THE EXPIRATION OF THE WARRANTY PERIOD.

Keep your receipt, delivery slip, or other appropriate payment record to establish the warranty period. Service under this warranty must be obtained by contacting Furrion at **warranty@furrion.com**

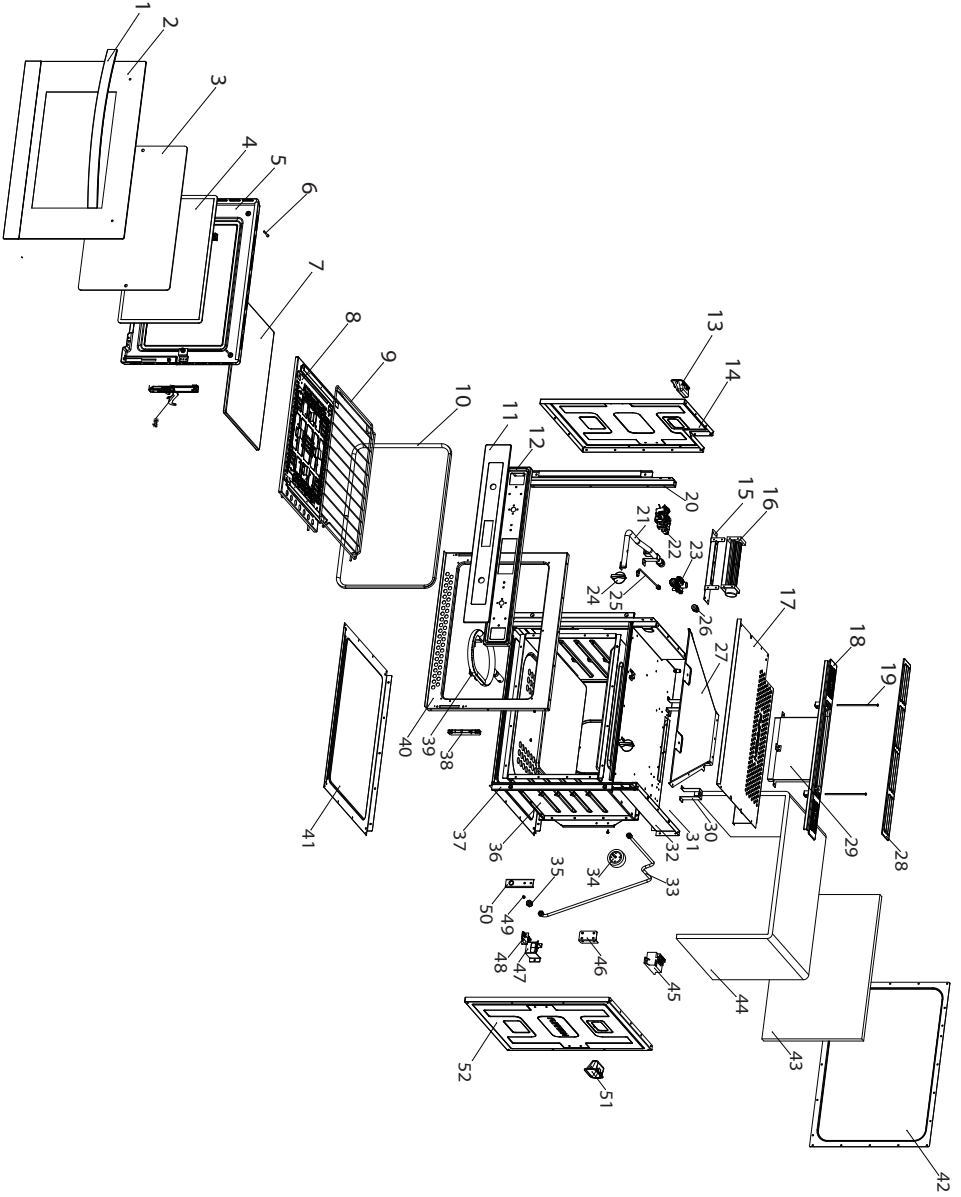
Product features or specifications as described or illustrated are subject to change without notice.

Exploded Drawing

1	Handle
2	Outer glass component
3	Middle glass
4	Inner glass
5	Door inner plate component
6	Screw M4×40
7	Stone (not provided)
8	Stone stand component
9	Griddle/Rack
10	Sealing rubber component
11	Control plate glass component
12	Control plate
13	Side handle
14	Left plate
15	Motor stand
16	Motor
17	Bottom plate
18	Vent component
19	Screw M4×140
20	Left stand
21	Gas inlet
22	Thermostat valve
23	Gas valve
24	Knob
25	Pilot gas pipe
26	Gas fitting
27	Wind cover

28	Inner vent plate
29	Vent insulation
30	Vent cover stand
31	Plug
32	Fan stand
33	Gas pipe
34	Timer
35	Nozzle seat
36	Cavity component
37	Right stand
38	Hinge seat
39	Burner component
40	Front plate
41	Bottom plate
42	Back plate
43	Back insulation
44	Cavity insulation
45	Igniter
46	Side stand
47	Pilot stand
48	Pilot assembly
49	Nozzle component
50	Nozzle seat plate
51	Side handle
52	Right plate

Exploded Drawing



FURRION

Four à Gaz RV

Manuels d'installation

modèles: FSRI22LA-SB/FSRI22LA-SS
 FSRD33LA-BL/FSRD22LA-SS



Conseils Importants de Sécurité

AVERTISSEMENT

Si les informations contenues dans ce guide ne sont pas suivies exactement, un incendie ou une explosion peut entraîner causant des dommages matériels, des blessures ou la mort.

- Ne pas stocker ou utiliser d'essence ou d'autres vapeurs inflammables et à proximité de cet appareil ou n'importe quel appareil.

- **QUE FAIRE SI VOUS SENTEZ UNE ODEUR DE GAZ:**

- N'essayez pas d'allumer aucun appareils.
 - Ne pas toucher aucun commutateurs électrique.
 - Ne pas utiliser n'importe quel téléphone dans votre véhicule récréatif.
 - Désactivez le véhicule récréatif de tous les occupants.
 - Fermer la soupape du conteneur de GPL ou du conteneur principal.
 - Appelez immédiatement votre fournisseur de gaz pour obtenir des instructions.
 - Si vous ne pouvez pas joindre votre fournisseur de gaz, appelez les pompiers.
- Faire vérifier l'installation de gaz et source de fuite corrigée par un installateur qualifié, Agence de la fonction, fabricant, distributeur ou le fournisseur de gaz.

Avertissement et importantes consignes de sécurité figurant dans le présent guide ne sont pas censés couvrir toutes les conditions possibles et des

situations qui peuvent se produire. Bon sens, attention et les soins doivent être exercés lors de l'installation, entretien ou fonctionnement de l'appareil.

Toujours contacter le fabricant au sujet des problèmes ou des conditions, que vous ne comprenez pas.

AVERTISSEMENT

Dangers ou pratiques dangereuses PEUT entraîner des blessures graves, voire mortelles.

ATTENTION

Risques ou pratiques dangereuses PUET entraîné des blessures mineures.

Lisez et suivez toutes les instructions avant d'utiliser cet appareil pour prévenir le risque d'incendie, électrocution, des blessures ou des dommages à l'appareil suite à une mauvaise utilisation de l'appareil. Utilisez l'appareil uniquement pour son usage prévu tel que décrit dans ce guide. Si vous utilisez une source électrique externe, de l'appareil doit être mise à la terre conformément aux codes provinciaux et autres ou, en l'absence de tels codes, avec le Code National d'Electricité, ANSI/NFPA 70. N'essayez pas d'ajuster, réparer, entretenir ou remplacer n'importe quelle partie de votre appareil, sauf s'il est spécifiquement recommandé dans ce guide. Toutes les autres réparations devraient être acheminées à un technicien qualifié.

Introduction

Félicitations pour votre achat du four à gaz RV de Furrion®. Avant d'utiliser votre nouvel appareil, veuillez lire attentivement ces instructions. Ce manuel contient des informations pour une utilisation sûre, installation et maintenance de l'appareil.

Gardez ce mode d'emploi dans un endroit sûr pour référence ultérieure. Cela assure l'utilisation sécuritaire et réduira les risques de blessures. N'oubliez pas de passer sur ce mode d'emploi pour les nouveaux propriétaires de cet appareil.

Le fabricant décline toute responsabilité pour des dommages en raison de ne pas respecter ces instructions.

Si vous avez des questions concernant nos produits, veuillez nous contacter à **support@furrion.com**

Contents

Conseils Importants de Securite	24
Introduction	25
Contents	26
Precautions d'emploi	27
Precautions Generales Importantes.....	27
Conseils d'utilisation importants.....	27
Description du four	30
Tableau de bord.....	31
Allumage	31
Eteindre le four	32
La flamme du brûleur.....	32
Installation	33
Instructions	33
Installer la ventilation	36
Conseils de Cuisson	38
Cuisson.....	38
Cuisson des Pizzas	38
Cuisson des poissons et de la viande	38
Entretien	40
Conseils pour entretenir votre four	40
Consignes pour la grille.....	41
Remplacement de la lampe du four	41
Remplacer la DEL de la Molette de contrôle (pour les modèles équipés d'un voyant DEL).....	41
Garantie	42
Diagramme et description des pièces	44

PRECAUTIONS D'EMPLOI

Precautions Generales Importantes

1. Toujours porter des gants de cuisine et utiliser des porte-plats secs pour retirer les plats du four. Les gants de cuisine et les porte-plats humides ou mouillés pourraient causer des brûlures par la vapeur. Ne jamais utiliser des chiffons ou des serviettes épaisses au lieu de gants ou porte-plats.
2. Ouvrir la porte du four avec prudence. Laisser la vapeur et la chaleur s'échapper avant de regarder dans le four ou de saisir les plats.
3. Vérifier que l'arrivée d'air froid (située en dessous de la porte du four) et le système de ventilation d'air chaud (situé sur le plan de travail) sont toujours dégagés.
4. Le système de ventilation est toujours extrêmement chaud pendant et après l'utilisation du four. Ne jamais le toucher pendant et juste après son opération.
5. Ne déplacer les grilles du four que lorsque le four est froid. S'il faut repositionner une grille quand le four est en marche et déjà chauffé, s'assurer que les gants de cuisine ou les porte-plats n'entrent pas en contact avec le brûleur du four.
6. Lire ce guide attentivement avant d'utiliser le four, pour éviter les risques de blessure, d'électrocution et d'incendie.
7. Le four doit être installé et entretenu par un installateur ou une agence qualifiés, conformément aux instructions du fabricant, et la mise à la terre du four doit être faite par un technicien qualifié.
8. Ne nettoyer que les pièces qui sont mentionnées dans ce guide.
9. Ne jamais toucher les éléments chauffants ou les surfaces intérieures du four. Les éléments peuvent être chauds même s'ils restent de couleur foncée. Les surfaces intérieures peuvent causer des brûlures quand elles sont chaudes. Ne pas toucher, ni de laisser de vêtements ou autres matériaux inflammables en contact avec les parties internes du four, pendant et après l'utilisation du four, avant qu'il n'ait eu le temps de refroidir.

ATTENTION !

Ne jamais poser les ustensiles de cuisine sur le sol ou utiliser du papier d'aluminium ou tout autre matériau pour couvrir le plancher autour du four ou les parois latérales du four. Si vous ignorez cet avis, l'émail intérieur du four sera endommagé, ce qui annulerait votre garantie.

Precautions d'emploi

⚠ AVERTISSEMENT

Les fuites de gaz ne peuvent pas toujours être détectées simplement par l'odorat. Utilisez un détecteur de gaz approuvé par l'UL ou le CSA pour vérifier l'étanchéité des conduites. Pour plus d'informations, contactez votre fournisseur de gaz. Si vous détectez une fuite, suivez les conseils de la section « S'IL Y A UNE ODEUR DE GAZ »

Conseils d'utilisation importants

⚠ ATTENTION

lire attentivement ce guide avant d'utiliser l'appareil, afin de réduire les risques d'incendie, d'électrocution, de blessures, ou de dommages matériels.

L'installation du four doit se faire conformément aux lois en vigueur dans chaque état, et, en l'absence de telles lois, selon les normes gouvernant l'utilisation des camping cars, ANSI/NFPA, 1192.

⚠ ATTENTION

NE JAMAIS utiliser cet appareil en tant qu'appareil de chauffage pour réchauffer une pièce. Ceci pourrait entraîner une intoxication au monoxyde de carbone et une surchauffe du four.

Conseils importants de sécurité

La Loi californienne sur l'eau potable et la toxicité exige que le Gouverneur de la Californie publie la liste de substances reconnues par l'état comme étant carcinogènes et résultant en malformations congénitales ou autres anomalies de la reproduction, et exige que les fabricants avertissent leurs clients d'une possible exposition à ces substances.

ATTENTION

Ne jamais couvrir le système de ventilation sur le plan de travail ni les cavités ou espaces sous le four, et ne jamais couvrir complètement les grilles avec des matériaux tels que des feuilles d'aluminium. Ceci pourrait bloquer l'aération du four et causer une intoxication au monoxyde de carbone.

AVERTISSEMENT

Ne pas stocker des objets présentant un intérêt pour les enfants, soit derrière ou au dessus de l'appareil. Les enfants risqueraient de grimper sur le four pour atteindre ces objets, et pourraient se blesser gravement.

Precautions d'emploi

Débrancher l'appareil avant l'entretien.

Des blessures peuvent résulter de l'utilisation abusive du four. Ceci inclut marcher, s'appuyer ou s'asseoir sur la porte et les tiroirs de l'appareil.

Garder la zone de cuisson libre de tout matériaux combustibles. Ne pas entreposer des l'essence et des vapeurs et liquides inflammables a proximité du four ou dans le four.

Isoler le four du système d'alimentation en gaz en fermant sa vanne d'isolement lorsque vous faites un test de pression avec une pression de plus de 13.8 WCI

Pression / Test d'étanchéité: testé avec une pression de 11-13.8 WCI

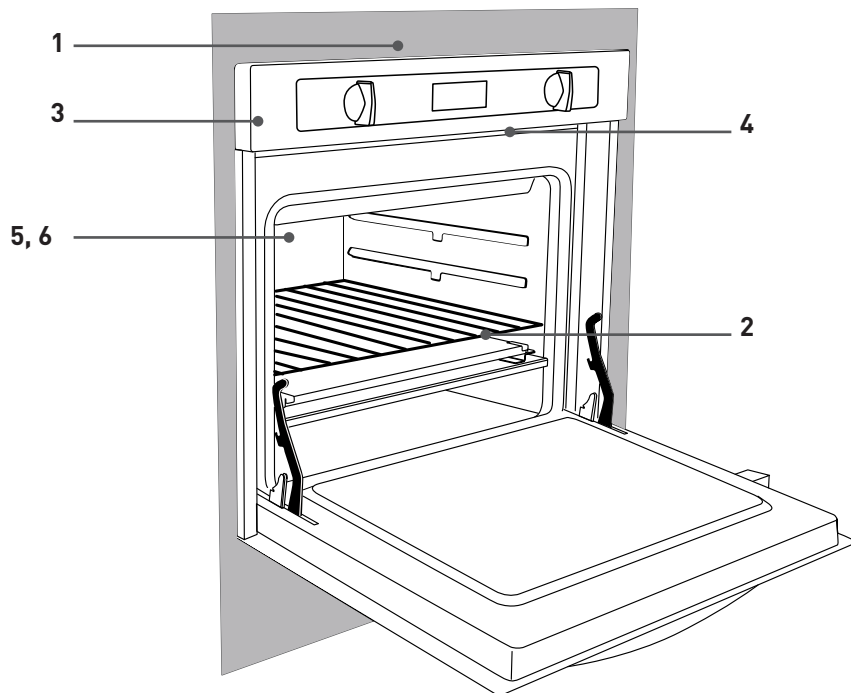
Pour maintenir le bon fonctionnement et la sécurité de cet appareil, nous recommandons de procéder comme suit:

- N'utiliser que services de réparation autorisés par le fabricant
- N'utiliser que des pièces de rechange originelles
- Ce mode d'emploi concerne un appareil intégréde classe 3
- Lors de la manipulation de l'appareil, nous recommandons l'utilisation exclusive des poignées encastrées sur les cotes du four afin d'éviter les blessure ou d'endommager l'appareil .
- Cet appareil est conçu pour un usage domestique et non professionnel, et ses fonctions ne doivent pas être modifiées.
- Ces instructions ne sont valables que dans les pays dont le symbole apparaitdans le guide et sur la plaque de numéro de série.
- Lorsque l'appareil est en cours d'utilisation, les brûleurs et certaines parties de la porte du four peuvent devenir extrêmement chaudes. Assurez-vous de ne pas les toucher et de les garder hors de la portée des enfants.

Les pièces suivantes peuvent être dangereuses. Il est donc essentiel de prendre des mesures appropriées pour empêcher que les enfants et les personnes handicapées ne les touchent :

- Boutons de contrôle de l'appareil en général;
- Emballage (sacs, polystyrène, clous, etc.);
- L'appareil lui-même, immédiatement après l'utilisation du four ou du gril à cause de la chaleur;
- L'appareil, lorsqu'il n'est pas en cours d'utilisation(les pièces potentiellement dangereuses doivent être gardées hors de portée).

Description du four

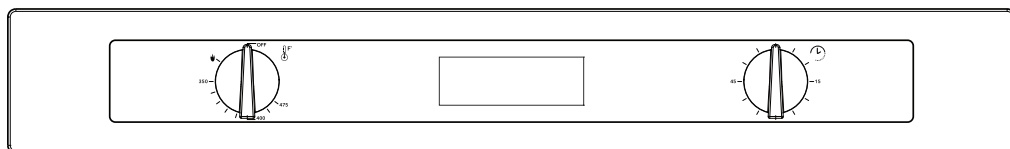


1	Etiquette du produit (sur le dessus du four)
2	Grilles de cuisson amovibles
3	Grilles de cuisson amovibles

4	Ventilateur de refroidissement
5	Sonde de température
6	Eclairage halogène

Description du four

Utilisation du four



A

C

B


Tableau de bord

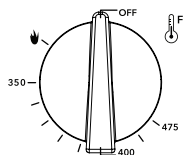
A : Sélecteur de température - bouton thermostat

B : Minuterie, durée maximale de 1 heures

C : Affichage numérique de la température

Allumage

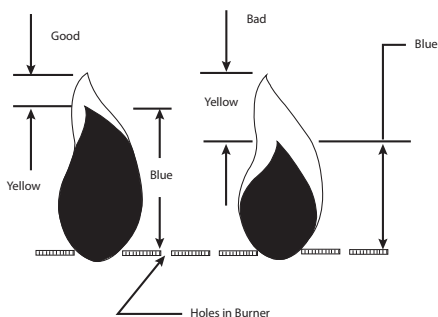
1. Vérifier que les boutons du tableau de bord soient tous sur la position OFF avant d'allumer le four.
2. Vérifier que la valve d'alimentation en gaz est sur position OPEN.
3. La porte du four doit être ouverte pendant l'allumage. Ceci permet de surveiller le brûleur et la veilleuse.
4. Poussez et tournez le bouton de contrôle du gaz dans le sens antihoraire à la position  jusqu'à ce que les lumières de la veilleuse. (Vous entendrez un petit bruit de cliquetis.)
5. Si l'allumage ne se produit pas dans les 5 secondes, tournez la commande de gaz potar, attendre 2 minutes et répéter la procédure d'allumage.
6. Une fois la veilleuse en marche, continuer à presser le bouton pendant environ 10 à 15 secondes, puis relâcher le bouton. Vérifier encore une fois que la veilleuse reste allumée. Répéter ces instructions tant que la veilleuse ne reste pas allumée (la porte du four doit rester ouverte)
7. Dès que la veilleuse reste allumée, relâcher le bouton du thermostat et ensuite le tourner vers la gauche pour régler la température.
8. La flamme du brûleur s'allumera automatiquement dans les 20 secondes suivant l'allumage de la veilleuse. Vérifier que le brûleur est en marche avant de refermer la porte du four.



Description du four

Eteindre le four:

1. Tourner tous les boutons et le bouton du thermostat vers la droite sur la position d'arrêt (OFF). Eteindre les veilleuses du four chaque fois que le camping car est en marche ou pendant un plein d'essence.
2. Couper l'alimentation principale du gaz.
3. Avant de transporter l'appareil, couper l'alimentation principale du gaz au niveau de la vanne d'arrêt.
4. Le ventilateur continue de fonctionner pendant environ 10 à 15 minutes après l'arrêt du four.



La flamme du brûleur

Gardez vos bras et le visage loin d'être directement au-dessus de la zone de cuisson. Les flammes doivent ressembler à la bonne émission de flamme dans le droit du diagramme.

Une bonne flamme doit être bleue avec une pointe jaune.

Quelques conseils jaunes sur les flammes jusqu'à 1 "de longueur sont acceptables tant que pas de dépôts de carbone ou de suie.

Si les flammes sont trop jaune et irrégulière, les résidus d'huile ne peut pas être complètement brûlé.

Installation

L'appareil doit être installé que par une personne qualifiée conformément aux instructions fournies avec l'appareil.

Installer ce produit en suivant exactement les instructions du fabricant afin d'éviter de blesser personnes et animaux, et pour éviter les dommages matériels.

Important: Oter la pile ou fermer l'alimentation électrique avant tout entretien ou maniement de l'appareil.

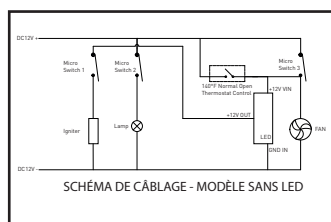
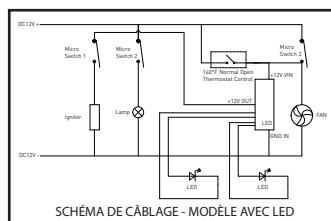
Le four doit être utilisée uniquement avec du gaz propane.

La four est équipé d'une pièce mâle fileté de type 5 / 8-18UNF. Pour l'installation, utiliser des tuyaux de cuivre et des connecteurs certifiés conformes au CSA ou à l'UL, lesquels sont conformes aux normes de sécurité canadiennes et américaines.

Il est impératif que la conduite flexible d'alimentation de gaz ne touche aucune pièce mobile une fois que le four est installé. Prévoir aussi suffisamment d'espace libre, de sorte que le tuyau d'alimentation ne soit pas plié ou endommagé après l'installation.

Instructions

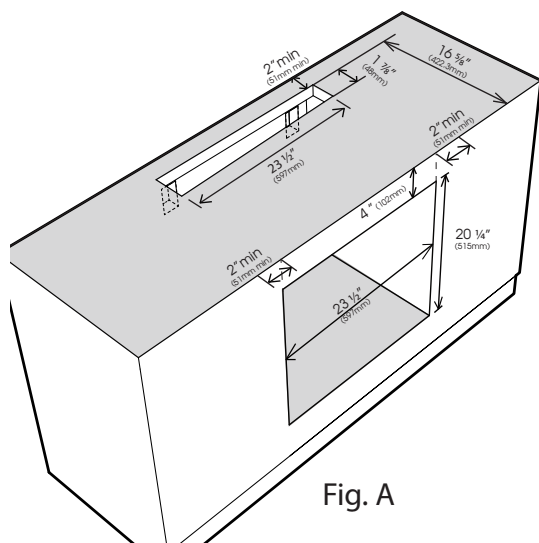
- Construire ou ajuster les meubles de cuisine comme dans la Fig. A
- Veiller à ce que le haut du four à partir du haut du comptoir est de 4 ".
- Découper un trou d'aération dans le comptoir, vérifier que l'arrière de la découpe mesure 18 " depuis l'avant du meuble pour un positionnement correct.
- Installer un tuyau d'alimentation en gaz en cuivre avec une vanne d'arrêt et un connecteur 5 / 8-18UNF. Installer la vanne dans l'angle arrière gauche supérieur de la cavité du four.
- Installer un câble min 16AWG 2C soit à partir d'une source d'alimentation 12V DC ou au-dessus de l'angle arrière droit supérieur de la cavité du four. Installer un fusible 5A à la source d'alimentation pour davantage de sécurité.



Installation

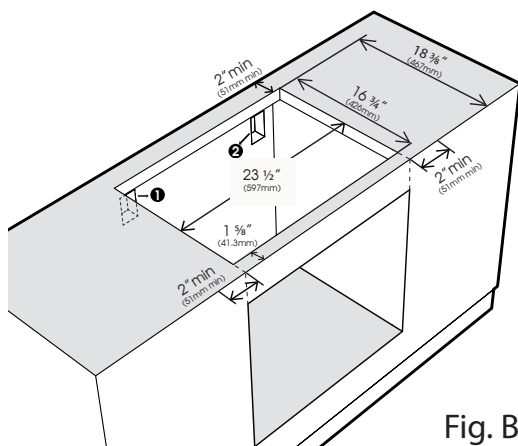
- Connecter le tuyau de gaz et le câble 12V au four. Vérifier que la polarité est correcte. + = Noir, - = Blanc
- Une fois l'installation terminée, et avant le montage final, faire un test d'étanchéité des raccords de tuyauterie. Pressuriser le système jusqu'à 13.8WCI, puis vérifier pour des fuites éventuelles en utilisant une solution savonneuse ou un détecteur agréé de fuites de gaz.
- Mettre le four bien en place dans son cabinet, puis ouvrir la porte du four et visser le four avec quatre vis à bois.
- Vérifier que le four est bien placé et bien sécurisé.
- Vérifier que le comptoir, les matériaux environnants et les agents de liaison ont une résistance à des températures de pas moins de 193°F (95°C) pour éviter la déformation des matériaux.
- Ne brancher l'alimentation qu'après que l'installation soit terminée.

Installation de la plaque de four (avec cuisson Furrion FG4ZSA)



Installation

- Faire la découpe du plan de travail selon les dimensions indiquées Fig. B. Mesurer exactement la découpe depuis l'avant du meuble de cuisine, afin de bien positionner le four.
- Installer le tuyau d'alimentation en gaz avec une connexion 5/8-18UNF et positionner le robinet d'arrêt sur la paroi arrière, du côté gauche du plan de travail.
- Deux tuyaux d'alimentation en gaz sont requis pour les cuisinières avec un four. La cuisinière doit être connectée au tuyau supérieur.
- Créer une ouverture d'aération dans le meuble de cuisine pour faciliter la circulation d'air autour de la cuisinière.
- Vérifier que le plan de travail du meuble de cuisine, les matériaux et les adhésifs utilisés autour de la cuisinière ont une estimation de résistance à des températures de pas moins de 193°F (95°C) pour éviter la déformation ou la décoloration des matériaux.
- Avant d'installer la cuisinière dans sa cavité, dérouler le rouleau de mastic d'étanchéité (inclus dans l'emballage) autour du bord inférieur de la cavité. Une fois que le mastic est collé autour de la partie inférieure, retirer le film protecteur du mastic et puis pousser la cuisinière dans la cavité. Appuyer sur les bords de l'appareil pour le sceller en toute sécurité.

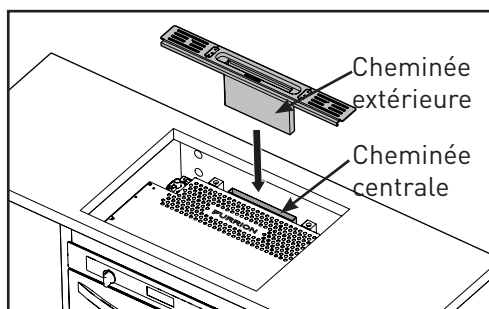


Installation

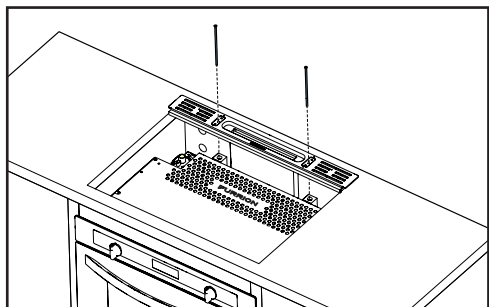
Installer la ventilation

Après avoir solidement installé le four dans l'armoire, installez l'évent à travers la zone de découpe supérieure de l'armoire.

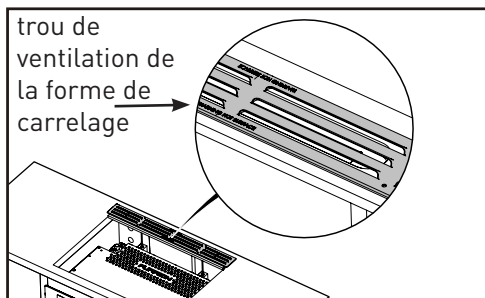
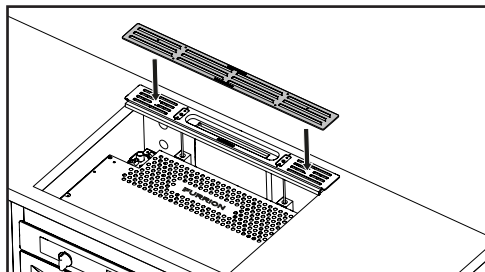
1. Installez l'ensemble de ventilation sur l'unité du four. Assurez-vous que le conduit d'évacuation est correctement recouvert sur la cheminée centrale.



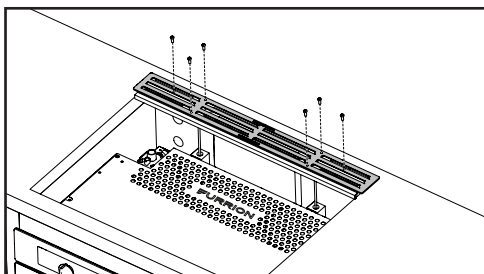
2. Fixer l'ensemble de ventilation sur le four avec 2 vis longues fournies et serrer avec un tournevis. Ne pas trop serrer.



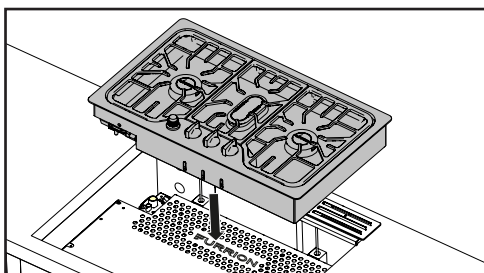
3. Placer le couvercle de ventilation sur l'ensemble de ventilation. Assurez-vous que les trous de ventilation de la forme de carrelage sont tournés vers l'avant.



4. Fixez le couvercle d'évent sur l'ensemble de ventilation avec les six vis fournies.



5. Installez la table de cuisson (vendue séparément) dans l'armoire.



Installation

Fiche technique

BTU/HR	9,000 BTU
Carburant	Gaz Propane (LP Gaz)
Pression d'entrée	10" WCI Minimum à 13,8" WCI Maximum
Puissance absorbée	12 VDC < 2amp
Capacité du four	58L

Cet appareil est conforme à la norme ANSI Z21.57et CAN1-1.6-M79(R2011)

Conseils de Cuisson

Le four offre une large gamme de cuissons qui vous permettent de faire cuire tous types de mets de la meilleure façon possible. Avec le temps, vous apprendrez et familiariserez avec votre appareil. Les conseils de cuisson suivants ne sont que des suggestions, que vous pouvez varier en fonction de votre expérience personnelle.

Cuisson:

- Pour de meilleurs résultats faire glisser le plateau de cuisson dans le four.
- Préchauffer le four pendant environ 20 minutes avant de placer des mets à l'intérieur.

Cuisson des Pizzas :

Pour des pizzas savoureuses et croustillantes:

- Glisser le plateau de cuisson dans le four
- Préchauffer le four pendant au moins 20 minutes
- Utilisez un moule à pizza en aluminium léger, et le placer sur la grille fournie avec le four. L'utilisation du lèchefrite prolongera le temps de cuisson, ce qui ne permet pas d'obtenir une croûte crouillante.
- Éviter d'ouvrir la porte du four fréquemment pendant la cuisson de la pizza.

Cuisson des poissons et de la viande :

- Lors de la cuisson de viandes blanches, de la volaille et du poisson, retirer le plateau de cuisson du four.
- Pour la viande rouge qui doit être bien cuite à l'extérieur et tendre et juteuse à l'intérieur, commencer la cuisson avec un réglage à haute température (390 °F ~430 °F) pendant une courte période, puis ensuite réduire la température.

Conseils de Cuisson

Sélection du mode de cuisson	Aliment cuisiné	Aliment cuisiné	Position de la grille depuis le bas du four	Position de la grille depuis le bas du four	Thermostat (°F)	Temps de cuisson (en minutes)	
Four	Lasagne 2	2.5	1	15	390	55-60	
	Cannelloni	2.5	1	10	390	40-45	
	Pâtes	2.2	1	10	390	50-55	
	Veau	1.7	2	10	410	80-90	
	Poulet	1.5	0	10	390	70-80	
	Papillote de dinde	2.5	1	10	390	80-90	
	Canard	1.8	0	10	390	90-100	
	Lapin	2.0	0	10	390	80-90	
Four	Carré de porc	1.5	1	10	390	70-80	
	Gigot d'agneau	1.8	0	10	390	80-90	
	Maquereaux	1.3	2	10	390	30-40	
	Dentex	1.5	2	10	355	30-40	
	Truite cuite dans une feuille	1.0	2	10	390	30-35	
	Pizza napolitaine	0.6	Stone (not provided)	15	410	15-20	
	Biscuits secs	0.5	3	15	355	25-30	
	Tartes	1.1	3	15	355	30-35	
	Gâteau au chocolat	1.0	3	15	330	50-60	
Gâteaux au levain	1.0	3	15	330	50-60		
Gril	Sole et seiche	1	2	5	-	6	
	Calamar/ Brochettes de crevettes	1	2	3	-	4	
	Filet de cabillaud	1	2	3	-	10	
	Légumes grillés	1	3	-	-	8-10	
	Steak de veau	1	2	5	-	20-25	
	Côtelettes	1.5	2	5	-	20-25	
	Hamburgers	1	3	3	-	10-15	
	Saucisses	1.7	3	5	-	20-25	
	Sandwichs grillés		3	3	-	2-3	
	Avec tournebroche (si disponible)						
		Veau à la broche	1.0				80-90
		Poulet à la broche	1.5				80-90
		Agneau à la broche	1.0				80-90

N.B.: Les temps de cuisson sont approximatifs et peuvent varier selon les goûts personnels.

Conseils pour entretenir votre four

Débrancher la source de courant avant l'entretien ou le nettoyage du four.

Nettoyer le four fréquemment pour prolonger sa durée de vie, en gardant ces conseils à l'esprit:

- Ne pas utiliser d'équipement à la vapeur pour nettoyer l'appareil.
- Les pièces en acier émaillé ou en acier inoxydable doivent être lavées à l'eau tiède sans utiliser de poudres abrasives ou de substances corrosives qui pourraient les endommager; l'acier inoxydable pourrait se tacher. Si ces taches sont difficiles à enlever, utiliser des produits spéciaux disponibles sur le marché. Après le nettoyage, il est conseillé de bien rincer et sécher les composants.
- Nettoyer l'intérieur du four de préférence immédiatement après son utilisation, alors qu'il est encore chaud. Utiliser de l'eau chaude et du savon; le savon doit être rincé et l'intérieur du four doit être complètement séché. Éviter d'utiliser des détergents abrasifs (par exemple des poudres de nettoyage) et des éponges abrasives pour vaisselle, ou des compositions nettoyantes acides (comme les éliminateurs de tartre) car ceux-ci pourraient endommager l'émail. Si les taches de graisse et la saleté sont particulièrement difficiles à enlever, utiliser un produit spécial pour le nettoyage du four, en suivant les instructions fournies sur le paquet.
- De la condensation peut se former si le four est utilisé pendant une longue période de temps. Dans ce cas, sécher à l'aide d'un chiffon doux.
- Un joint en caoutchouc autour de l'ouverture du four garantit son parfait fonctionnement. Cette pièce doit être inspectée régulièrement. Si nécessaire, nettoyer le joint en évitant d'utiliser des produits ou des objets abrasifs pour le faire. Si le joint est endommagé, contacter le service après-vente le plus proche. Nous vous recommandons d'éviter d'utiliser le four jusqu'à ce que le joint ait été réparé.
- Ne jamais couvrir le fond du four avec du papier aluminium, cela provoquerait l'accumulation de chaleur, ce qui pourrait compromettre la cuisson et même endommager l'émail.
- Nettoyer la porte en verre en utilisant des produits ou des éponges non abrasifs et séchez avec un chiffon doux

Consignes pour la grille:

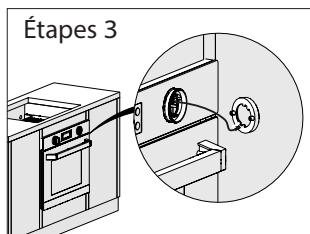
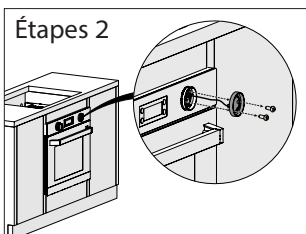
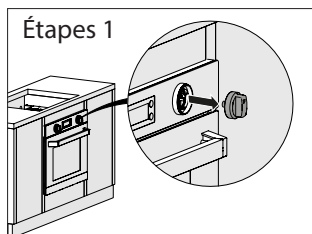
Les grilles sont équipées d'un système de verrouillage anti bascule. Pour retirer les grilles, pousser la grille complètement vers l'intérieur du four, puis déverrouiller les onglets arrière de verrouillage de la glissière en poussant vers le haut; faire ensuite glisser la grille hors du four. Pour remettre les grilles dans le four, les insérer dans la glissière, puis pousser la grille vers le bas au fond du four, pour positionner les onglets dans le système de verrouillage anti bascule.

Remplacement de la lampe du four

- Déconnecter le four du système d'alimentation électrique 12V DC en utilisant l'interrupteur ou un fusible.
- Dévisser le couvercle de verre porte-lampe.
- Retirer la lampe et remplacer les températures élevées (300)
 - Tension: 12V
 - Puissance: 15W
 - Type G9
- Visser le couvercle en verre et rebrancher le four à l'alimentation électrique

Remplacer la DEL de la Molette de contrôle (pour les modèles équipés d'un voyant DEL)

1. Coupez l'alimentation électrique du four, soit en éteignant l'interrupteur alimentant la prise murale du four, ou en débranchant la prise du four, si cette dernière est accessible.
2. Tirez sur la molette de contrôle dont la DEL est cassée.
3. Retirez les deux vis tenant la DEL à l'aide d'un tournevis cruciforme.
4. Tirez sur la fiche connectée à la DEL.
5. Répétez les étapes 4 à 2 pour remplacer la DEL cassée



Garantie

FURRION GARANTIT, PENDANT UNE PÉRIODE D'UN AN À PARTIR DE LA DATE DE L'ACHAT AU DÉTAIL PAR L'UTILISATEUR FINAL INITIAL, QUE CE PRODUIT, S'IL EST LIVRÉ À L'ÉTAT NEUF, DANS SON EMBALLAGE ORIGINAL, PAR UN REVENDEUR FURRION AUTORISÉ ET UTILISÉ EN CONDITIONS NORMALES, EST LIBRE DE TOUT DÉFAUT DE FABRICATION, DE MATÉRIEL ET DE MAIN-D'ŒUVRE. EN CAS DE DÉFAUT, FURRION S'ENGAGE À REMPLACER OU À RÉPARER LE PRODUIT GRATUITEMENT. CETTE GARANTIE EXCLUT CE QUI SUIT : PRODUITS DONT LE NUMÉRO DE SÉRIE ORIGINAL A ÉTÉ ENLEVÉ, MODIFIÉ OU RENDU ILLISIBLE, LES DOMMAGES OU LES PERTES CAUSÉS PAR UN ACCIDENT, UNE MAUVAISE UTILISATION, LA NÉGLIGENCE, LA MODIFICATION DU PRODUIT OU LE MANQUEMENT À SUIVRE LES CONSIGNES DU GUIDE DE L'UTILISATEUR, L'UTILISATION COMMERCIALE OU INDUSTRIELLE, LES DOMMAGES OU LES PERTES CAUSÉES À LA SURFACE DÉCORATIVE DU PRODUIT, LES DOMMAGES CAUSÉS AUX DONNÉES, LOGICIELS OU RENSEIGNEMENTS, AINSI QUE L'USURE NORMALE. LA PRÉSENTE GARANTIE PROTÈGE UNIQUEMENT L'UTILISATEUR FINAL INITIAL (« VOUS »), ET NE PEUT ÊTRE CÉDÉE À QUICONQUE. TOUTE TENTATIVE DE CESSIION DE LA PRÉSENTE GARANTIE AURA POUR EFFET SON ANNULATION IMMÉDIATE. LA PRÉSENTE GARANTIE EST UNIQUEMENT VALIDE DANS LE PAYS D'ACHAT.

LA PRÉSENTE GARANTIE ET LES RECOURS PRÉCÉDEMMENT DÉFINIS SONT EXCLUSIFS ET REMPLACENT TOUTES LES AUTRES RECOURS, GARANTIES ET CONDITIONS, QU'ILS SOIENT ORAUX OU ÉCRITS, EXPLICITES OU IMPLICITES. FURRION DÉCLINE SPÉCIFIQUEMENT TOUTES LES GARANTIES IMPLICITES, Y COMPRIS, SANS S'Y LIMITER, LES GARANTIES DE QUALITÉ MARCHANDE ET D'ADÉQUATION À UN USAGE PARTICULIER. SI FURRION NE PEUT LÉGALEMENT DÉCLINER LES GARANTIES IMPLICITES DÉCOULANT DE LA PRÉSENTE GARANTIE LIMITÉE, TOUTES CES GARANTIES, Y COMPRIS LES GARANTIES DE QUALITÉ MARCHANDE ET D'ADAPTATION À UN USAGE PARTICULIER, SONT LIMITÉES À LA DURÉE DE VALIDITÉ DE LA PRÉSENTE GARANTIE.

aucun revendeur, agent ou employé de furrion n'est autorisé à modifier, prolonger ou élargir la présente garantie.

Garantie

FURRION DÉCLINE TOUTE RESPONSABILITÉ POUR TOUT PRÉJUDICE DIRECT, INDIRECT, SPÉCIAL, ACCESSOIRE OU CONSÉCUTIF RÉSULTANT DE TOUT MANQUEMENT DE GARANTIE OU DE CONDITION, OU RECONNU PAR TOUTE THÉORIE JURIDIQUE, INCLUANT SANS LIMITATION LES PERTES DE BÉNÉFICES, DE TEMPS DE FONCTIONNEMENT, DE BIENS INCORPORELS, LES DOMMAGES À TOUT APPAREIL OU BIEN OU LE REMPLACEMENT DE TOUT BIEN OU ÉQUIPEMENT, TOUT COÛT DE RÉCUPÉRATION, DE REPROGRAMMATION OU DE REPRODUCTION DE TOUT PROGRAMME OU DE TOUTE DONNÉE ENREGISTRÉ DANS LES PRODUITS FURRION OU UTILISÉS AVEC CEUX-CI. LA RESPONSABILITÉ TOTALE DE FURRION SE LIMITE À LA RÉPARATION OU AU REMPLACEMENT DE CE PRODUIT CONFORMÉMENT AUX CONDITIONS DE LA PRÉSENTE GARANTIE.

CERTAINS ÉTATS N'AUTORISENT PAS LES EXCLUSIONS OU LES LIMITATIONS DES PRÉJUDICES ACCESSOIRES OU CONSÉCUTIFS, NI LES EXCLUSIONS OU LIMITATIONS DE LA DURÉE DES GARANTIES OU CONDITIONS IMPLICITES. POUR CE MOTIF, LES LIMITES ET EXCLUSIONS PRÉCÉDEMMENT ÉNONCÉES POURRAIENT NE PAS S'APPLIQUER À VOUS. LA PRÉSENTE GARANTIE VOUS CONFÈRE CERTAINS DROITS JURIDIQUES SPÉCIFIQUES, QUI POURRAIENT S'AJOUTER À D'AUTRES DROITS QUI VOUS SONT CONFÉRÉS PAR VOTRE JURIDICTION (DANS LES PAYS OÙ FURRION COMPTE DES DÉTAILLANTS AUTORISÉS HORS CANADA ET ETATS-UNIS). AUCUNE ACTION OU RÉCLAMATION POUR FAIRE APPLIQUER LA PRÉSENTE GARANTIE NE POURRA ÊTRE INITIÉE APRÈS L'ÉCHÉANCE DE LA PÉRIODE DE GARANTIE.

Conserver votre reçu d'achat, bon de livraison ou tout autre justificatif de paiement pour établir la période de garantie. Les réparations aux termes de la présente garantie doivent être réclamées auprès de Furrion : **garantie@furrion.com**

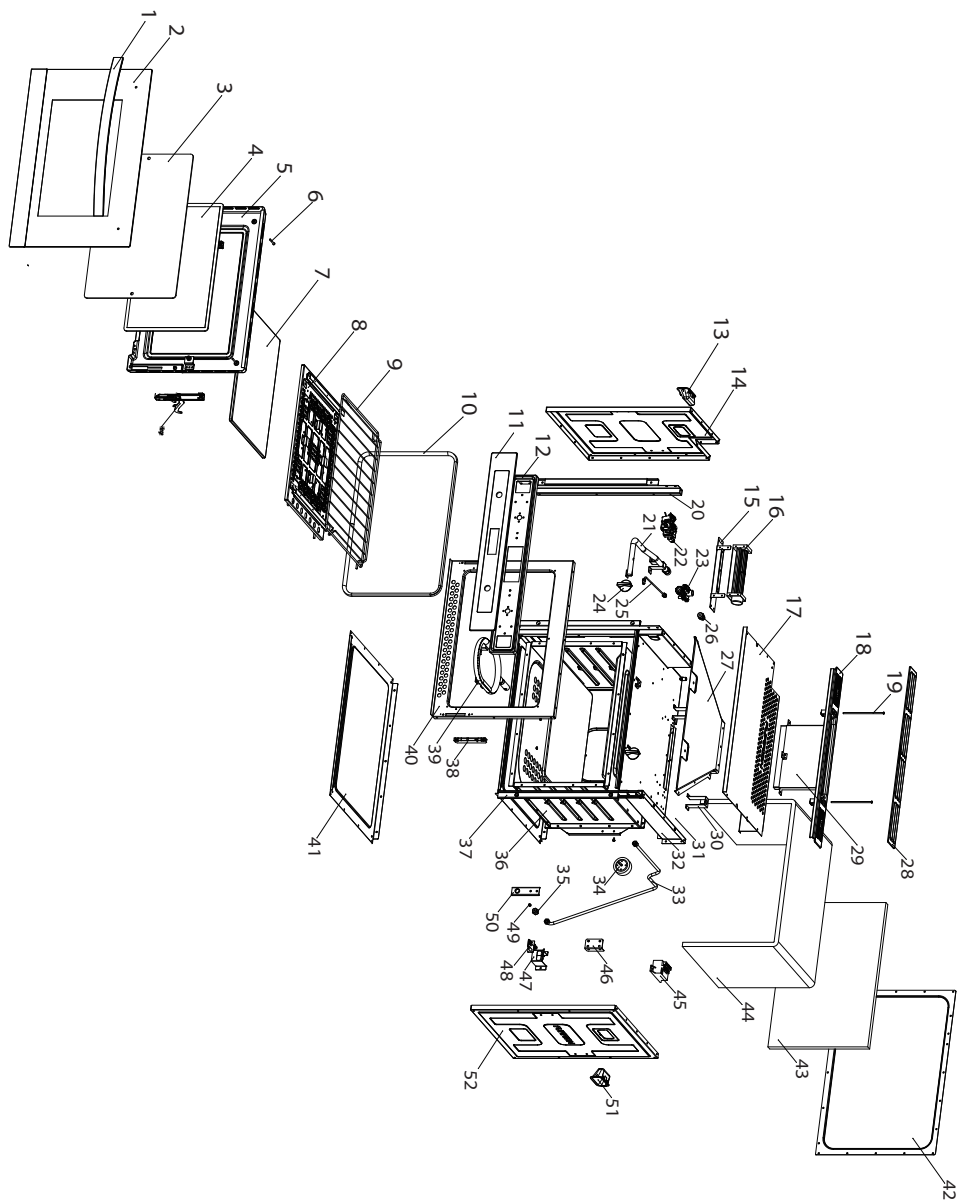
Les fonctionnalités et les détails techniques du produit tels qu'ils sont décrits ou illustrés peuvent changer sans préavis.

Diagramme et description des pièces

1	Poignée
2	Verre externe
3	Verre intermédiaire
4	Verre interne
5	Composant de porte interne
6	Vis M4x40
7	Base (non fourni)
8	Composant de support de la base
9	Grille
10	Joint d'étanchéité en caoutchouc
11	Composant en verre du tableau de bord
12	Tableau de bord
13	Poignée latérale
14	Plaque latérale gauche
15	Support du moteur
16	Moteur
17	Plaque du bas
18	Cheminée
19	Vis M4x40
20	Support gauche
21	Arrivée de gaz
22	Vanne du thermostat
23	Vanne du gaz
24	Bouton
25	Tuyau de gaz de la veilleuse
26	Connecteur du gaz

27	Revêtement de l'aération
28	Plaque de cheminée interne
29	Isolation de la cheminée
30	Support de la plaque de cheminée
31	Bouchon
32	Support du ventilateur
33	Tuyau de gaz
34	Minuteur
35	Assise de l'embout
36	Élément de cavité
37	Support de droite
38	Support de charnière
39	Élément du brûleur
40	Plaque avant
41	Plaque du bas
42	Plaque arrière
43	Isolation arrière
44	Cavité d'isolation
45	Allumeur
46	Support latéral
47	Support de la veilleuse
48	Ensemble pilote
49	Embout
50	Plaque d'assise de l'embout
51	Poignée latérale
52	Plaque de droite

Diagramme et description des pièces



FURRION

Furrion Innovation Center & Institute of Technology

- 52567 Independence Ct., Elkhart, IN 46514, USA ● Toll free: 1-888-354-5792
- Email: info@furrion.com

©2007-2018 Furrion Ltd. Furrion® and the Furrion logo are trademarks licensed for use by Furrion Ltd. and registered in the U.S. and other countries.

©2007-2018 Furrion Ltd. Furrion® et le logo Furrion sont des marques déposées par Furrion Ltd. et enregistrées aux Etats-Unis et ailleurs.

FURRION.COM

IM-FHA00023 V3.0